

Technical data sheet

Product features



Display unit heated, glass ceramic GN 4-1/1 drop-in

Model	SAP Code	00012087
--------------	-----------------	----------



- Buffet type: BROWN - heated, glass-ceramic
- Device properties: Warmed
- Number of GN / EN: 4
- GN / EN size in device: GN 1/1
- Minimum device temperature [°C]: 60
- Maximum device temperature [°C]: 100

SAP Code	00012087	Loading	230 V / 1N - 50 Hz
Net Width [mm]	650	Number of GN / EN	4
Net Depth [mm]	1494	GN / EN size in device	GN 1/1
Net Height [mm]	100	Minimum device temperature [°C]	60
Net Weight [kg]	27.00	Maximum device temperature [°C]	100
Power electric [kW]	1.140		

Technical data sheet

Technical drawing



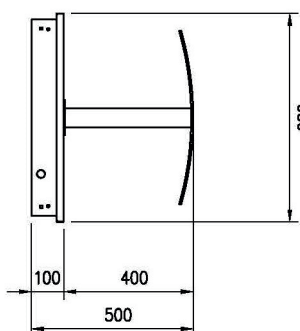
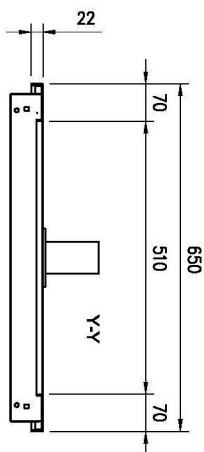
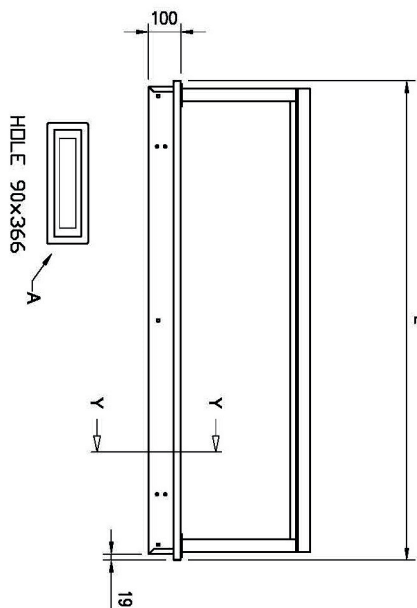
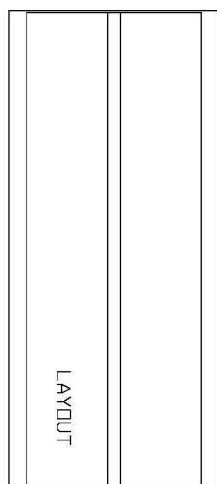
Display unit heated, glass ceramic GN 4-1/1 drop-in

Model

SAP Code

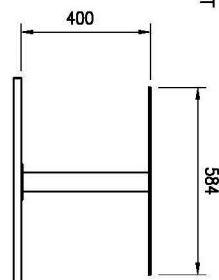
00012087

A = ELECTRICAL CONNECTION
 D = WATER DISCHARGE G1/2" (M) ONLY BM
 E = WATER INLET G3/4" (M) ONLY BM

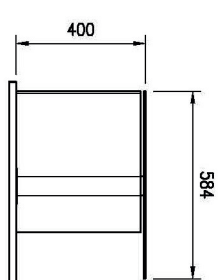


GN	L	HOLE
2/1	844	814x620
3/1	1169	1139x620
4/1	1494	1464x620
5/1	1819	1789x620
6/1	2144	2114x620

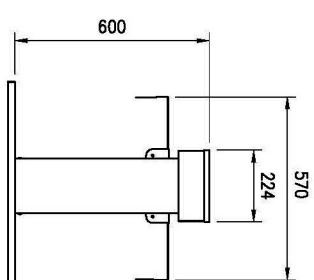
FLAT



SERVICE



TRADITION



Technical data sheet

Product benefits



Display unit heated, glass ceramic GN 4-1/1 drop-in

Model

SAP Code

00012087

1

Built-in

the possibility to plant in a dispensing block design

- unified design of the dispensing line
- a luxurious look that customers appreciate

2

Glass ceramic plate

smooth hard surface
endurance

- easy maintenance
- long service life

3

No press

without sharp edges and corners

- higher hygienic safety
- time saving due to easy cleaning

4

All-stainless steel construction

harmless to health for contact with food
robustness

- long service life
- very easy to clean

Technical data sheet

Technical parameters



Display unit heated, glass ceramic GN 4-1/1 drop-in

Model

SAP Code

00012087

1. SAP Code:

00012087

2. Net Width [mm]:

650

3. Net Depth [mm]:

1494

4. Net Height [mm]:

100

5. Net Weight [kg]:

27.00

6. Gross Width [mm]:

730

7. Gross depth [mm]:

1530

8. Gross Height [mm]:

700

9. Gross Weight [kg]:

31.70

10. Device type:

Electric unit

11. Material:

AISI 304

12. Buffet type:

BROWN - heated, glass-ceramic

13. Device properties:

Warmed

14. Power electric [kW]:

1.140

15. Loading:

230 V / 1N - 50 Hz

16. Number of GN / EN:

4

17. GN / EN size in device:

GN 1/1

18. Minimum device temperature [°C]:

60

19. Maximum device temperature [°C]:

100

20. Cross-section of conductors CU [mm²]:

0,5

- Výkon (kW): 2,4-3,3 (230 V)